



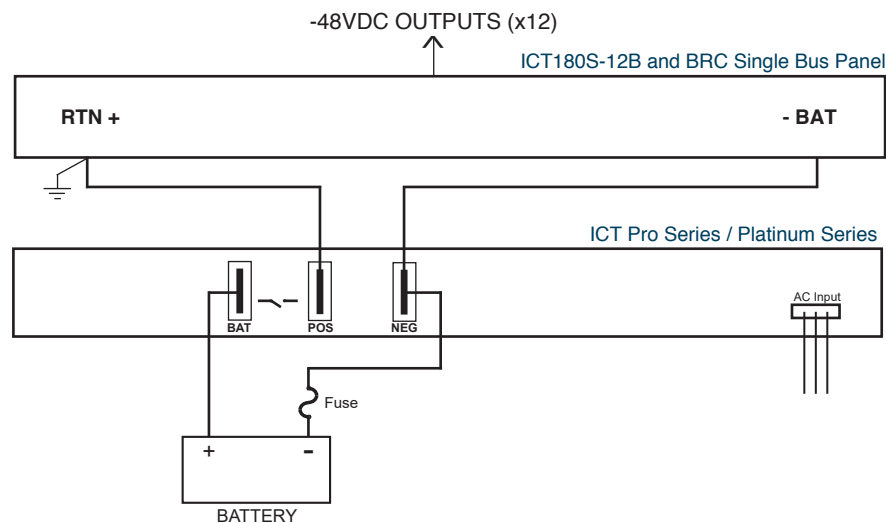
# USING ICT SINGLE BUS GMT FUSE PANELS WITH POS OR NEG 48 VOLTS DC



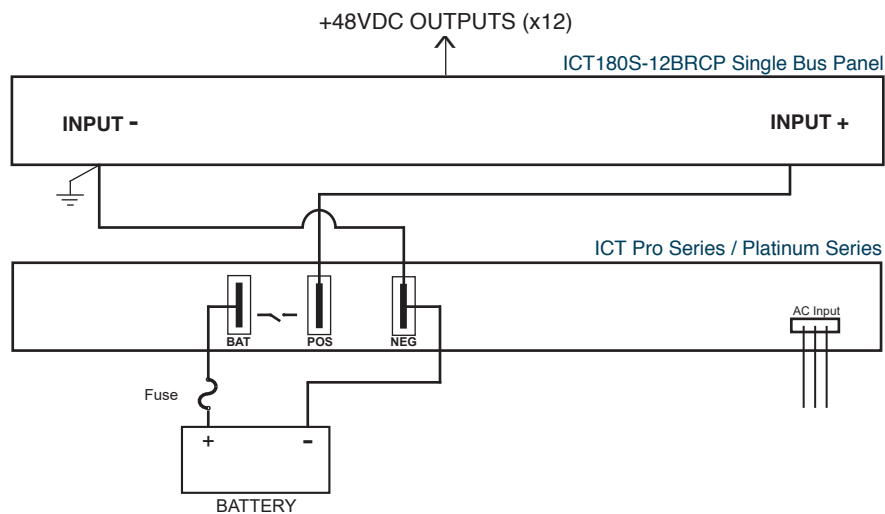
ICT Distribution Series 2 single bus GMT fuse panels are specifically designed to operate safely and reliably in 48 volt DC applications. The ICT180S-12B provides remote monitoring and alarm reporting of the 12 load outputs over Ethernet, and supports negative 48 volt DC applications.

ICT180S-12BRC and ICT180S-12BRCP provide remote monitoring and alarms, as well as the ability to control the 12 outputs individually over Ethernet. The ICT180S-12BRC supports negative 48 volt DC systems, while the ICT180S-12BRCP supports positive 48 volt DC applications. The diagrams below illustrate how to connect ICT GMT fuse panels to ICT DC power supplies and systems.

## -48VDC Output (Positive Ground): ICT Pro Series and Platinum Series DC Power Supplies



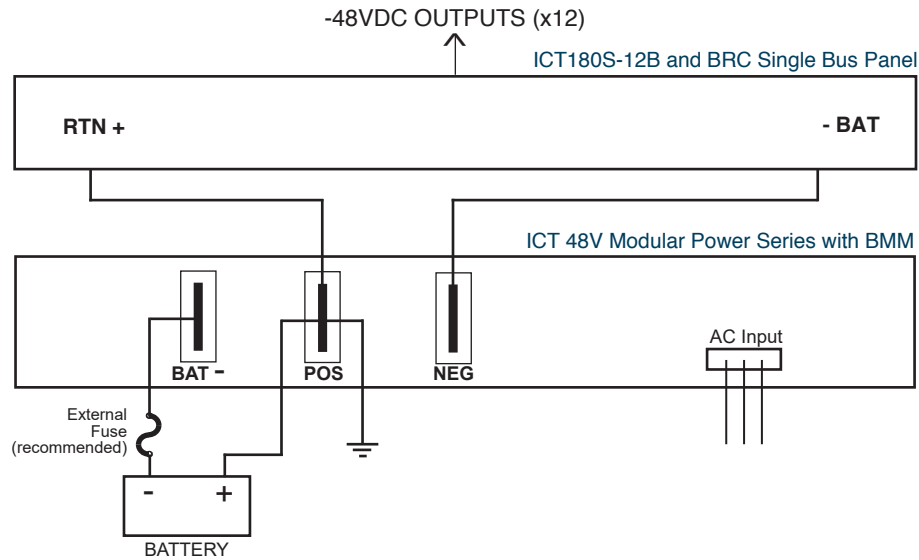
## +48VDC Output (Negative Ground): ICT Pro Series and Platinum Series DC Power Supplies





**-48VDC Output (Positive Ground):**

**ICT Modular Power Series and MPS Ultra DC Power System With Battery Management Module (BMM)**



**+48VDC Output (Negative Ground):**

**ICT Modular Power Series and MPS Ultra DC Power System With Battery Management Module (BMMP)**

