

## SPECIFICATIONS

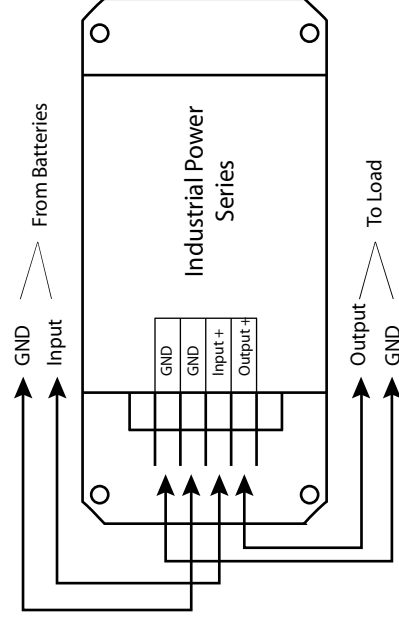
|                        | Input Voltage Range | Output Voltage (+/- 300 mV) | Output Current (Cont.) | Current Limiting | Line Regulation | Load Regulation | Output Ripple (Max) | Over-voltage Protection | Efficiency (Typical) | Fuse   |
|------------------------|---------------------|-----------------------------|------------------------|------------------|-----------------|-----------------|---------------------|-------------------------|----------------------|--------|
| ICT2412-5AH (1)(2)     | 20-30 VDC           | 13.8 VDC +/- 300 mV         | 5.0 Amps               | 5.25 Amps +/- 5% | 0.70%           | 0.30%           | 35 mV RMS           | 16.0 VDC                | 88%                  | 5 Amp  |
| ICT11224-1AH (1)(2)    | 10-15 VDC           | 27.6 VDC +/- 300 mV         | 1.0 Amps               | 1.5 Amps +/- 5%  | 0.70%           | 0.30%           | 35 mV RMS           | --                      | 88%                  | 6 Amp  |
| ICT2412-10AH (1)(2)(3) | 20-30 VDC           | 13.8 VDC +/- 300 mV         | 10.0 Amps              | 10.5 Amps +/- 5% | 0.50%           | 0.40%           | 40 mV RMS           | 16.0 VDC                | 86%                  | 10 Amp |
| ICT2412-12AH (1)(2)    | 20-30 VDC           | 13.8 VDC +/- 300 mV         | 12.0 Amps              | 16.0 Amps +/- 5% | 0.45%           | 0.30%           | 40 mV RMS           | 16.0 VDC                | 88%                  | 15 Amp |
| ICT2412-15AH (1)(2)    | 20-30 VDC           | 13.8 VDC +/- 300 mV         | 14.0 Amps              | 20.5 Amps +/- 5% | 0.45%           | 0.30%           | 40 mV RMS           | 16.0 VDC                | 88%                  | 20 Amp |
| ICT2412-20AH (1)(2)(3) | 20-30 VDC           | 13.8 VDC +/- 300 mV         | 20.0 Amps              | 31.0 Amps +/- 5% | 0.45%           | 0.30%           | 40 mV RMS           | 16.0 VDC                | 95%                  | 35 Amp |
| ICT2412-30AH (1)(2)    | 20-30 VDC           | 13.8 VDC +/- 300 mV         | 28.0 Amps              | 42.0 Amps +/- 5% | 0.45%           | 0.30%           | 40 mV RMS           | 16.0 VDC                | 95%                  | 35 Amp |
| ICT4812-10AH (1)(2)    | 20-60 VDC           | 13.8 VDC +/- 300 mV         | 10.0 Amps              | 10.5 Amps +/- 5% | 0.70%           | 0.60%           | 20 mV RMS           | 18.5 VDC                | 85%                  | 10 Amp |
| ICT4812-15AH (1)(2)    | 20-60 VDC           | 13.8 VDC +/- 300 mV         | 15.0 Amps              | 20.5 Amps +/- 5% | 0.70%           | 0.70%           | 25 mV RMS           | 18.5 VDC                | 85%                  | 20 Amp |

NOTE: These converters can be mounted on a standard 19" Rackmount. Please contact us for more information.

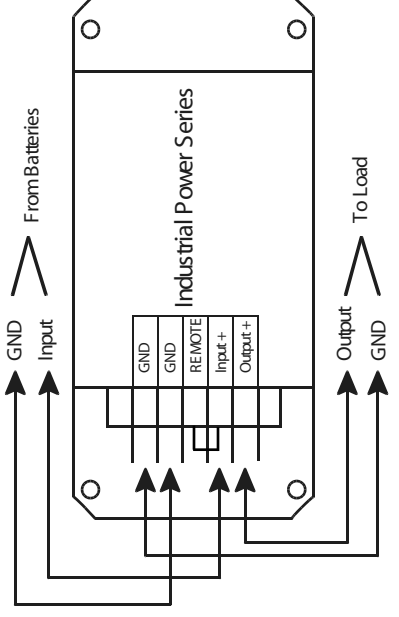
(1) CSA C22.2 No 107.1, UL 1012 Approved  
 (2) CSA C22.2 No 213, UL 1604 Approved  
 (3) Remote ON/OFF Control Version

## CONNECTIONS

### 4 Terminal Type, No Remote Control



### 5 Terminal Type, With Remote ON/OFF Control



# ICT INDUSTRIAL SERIES HAZARDOUS LOCATIONS INSTRUCTION MANUAL



## ICT INDUSTRIAL SERIES

The ICT Industrial Power Series - Hazardous Locations converters are non-isolated DC to DC converters approved for use in hazardous Class 1 Div 2 locations, such as oil fields, chemical and refinery plants. They are designed for use on negative ground systems. Each converter is designed for high efficiency and long service life. The rugged case and modular design have proven durable in harsh environments. Extra silicone is used for vibration and moisture resistance. Standard features include: current limiting, overvoltage protection, fuse protection, high surge capacity, easy access mounting holes, and a terminal block connector.

These instructions should be read before using the product and saved for future reference.

### SETUP

- ▶ Mount converter securely.
- ▶ Do not apply power until unit is completely wired.
- ▶ For best results, wire converter directly to battery using heavy gauge wire with in line fuse.
- ▶ NOTE: Do not wire output directly to a power source. Paralleling outputs are not

### TROUBLESHOOTING

- ▶ Check fuse inside unit, if blown, replace with same type and rating fuse.
- ▶ Check for proper voltage at input while converter is under load.
- ▶ Ensure the Remote ON/OFF pin is connected to the V+ input on 5 terminal models.

## WARNING

- ▶ THIS EQUIPMENT IS SUITABLE FOR USE IN CLASS I, DIVISION 2, GROUPS A, B, C & D OR NON-HAZARDOUS LOCATIONS ONLY.
- ▶ EXPLOSION HAZARD: Substitution of components may impair suitability for class 1 division 2.
- ▶ EXPLOSION HAZARD: Do not disconnect equipment unless power has been switched off or the area is known to be non-hazardous.
- ▶ EXPLOSION HAZARD: Do not replace fuse unless power has been switched off or the area is known to be non-hazardous.
- ▶ RISQUE D'EXPLOSION: La substitution de composants peut rendre ce matériel inacceptable pour les emplacements de classe 1 division 2.
- ▶ RISQUE D'EXPLOSION: Couper le courant ou s'assurer que l'emplacement est designe non dangereux avant de remplacer le fuse.
- ▶ RISQUE D'EXPLOSION: Avant de deconnecter l'equipement, couper le courant ou s'assurer que l'emplacement est designe non dangereux.

## LIMITED WARRANTY

ICT Ltd. warrants to the original consumer purchaser that this product shall be in good working order, free from defects in materials and workmanship, for a period of one (1) year from the date of purchase. Should failure occur during the above stated time period, then ICT will, at its option, repair or replace this product at no additional charge except as set forth below. All parts, whether for repair or replacement, will be furnished on an exchange basis. All exchange pieces become the property of ICT. This limited warranty shall not apply if the ICT product has been damaged by unreasonable use, accident, negligence, disaster, service, or modification by anyone other than the ICT factory.

Limited warranty service is obtained by delivering the product during the above stated one (1) year warranty period to an authorized ICT dealer or ICT factory and providing proof of purchase date. If this product is delivered by mail, you will insure the product or assume risk of loss or damage in transit, and prepay shipping charges to the factory.

Every reasonable effort has been made to ensure that ICT product manuals and promotional materials accurately describe ICT product specifications and capabilities at the time of publication. However, because of ongoing improvements and updating of ICT products, ICT cannot guarantee the accuracy of printed materials after the date of publication and disclaims liability for changes, errors or omissions.

If this ICT product is not in good working order, as outlined in the above warranty, your sole remedy shall be repair or replacement as provided above. In no event will ICT be liable for any damages resulting from the use of or the inability to use the ICT product, even if an ICT employee or an authorized ICT dealer has been advised of the possibility of such damages, or for any claim by any other party.

ICT reserves the right to make changes without further notice to any products or documentation for improvement of reliability, function, or design.

ICT Ltd. does not recommend use of its products in life support applications wherein a failure or malfunction of the product may directly or indirectly threaten life or cause

